

---

## AMSD1-4-S load center



## Application:

MTD1 series Load Centers have been designed for safe, reliable distribution and control of electrical power as service entrance equipment in residential, commercial and light industrial premises. They are available in Plug-in designs for indoor applications.

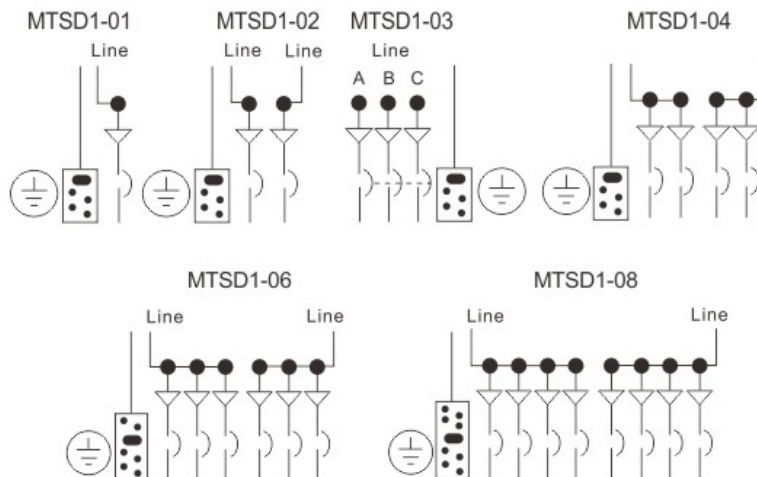
## Features:

- Made out of high quality steel sheet of up to 0.8-1.2mm thickness.
- Matt-Finish polyester powder coated paint.
- Knockouts provided on all sides of the enclosure.
- Accept Square D type plug-in circuit breakere.
- Suitable for AC 60Hz, rated voltage to 240V, rated current to 100A.
- Wider enclosure offers ease of wiring and move heat dissipation .
- Flush and Surface mounted designs.
- Knockouts for cable entry are provided on Top, Bottom of the Enclosure.

## Specification:

Product Number	Front Type	Main Ampere Rating	Rated voltage (v)	No. of way	Rated phase
MTSD1-1-F	Flush	50	120	1	Single
MTSD1-1-S	surface	50	120	1	Single
MTSD1-2-F	Flush	50	120/240	2	Single
MTSD1-2-S	surface	50	120/240	2	Single
MTSD1-4-F	Flush	100	220/127	4	Single
MTSD1-4-S	surface	100	220/127	4	Single
MTSD1-6-F	Flush	60	120/240	6	Single
MTSD1-6-S	surface	60	120/240	6	Single
MTSD1-8-F	Flush	100	120/240	8	Single
MTSD1-8-S	surface	100	120/240	8	Single
MTSD1-12-F	Flush	100	120/240	12	Single
MTSD1-12-S	surface	100	120/240	12	Single

## Connection Drawing:



---

Product link : <https://www.amervolt.com/mtsd1-4-s.html>